



Quality Power Transmission Products

Nitro Sprocket & Hub Catalog

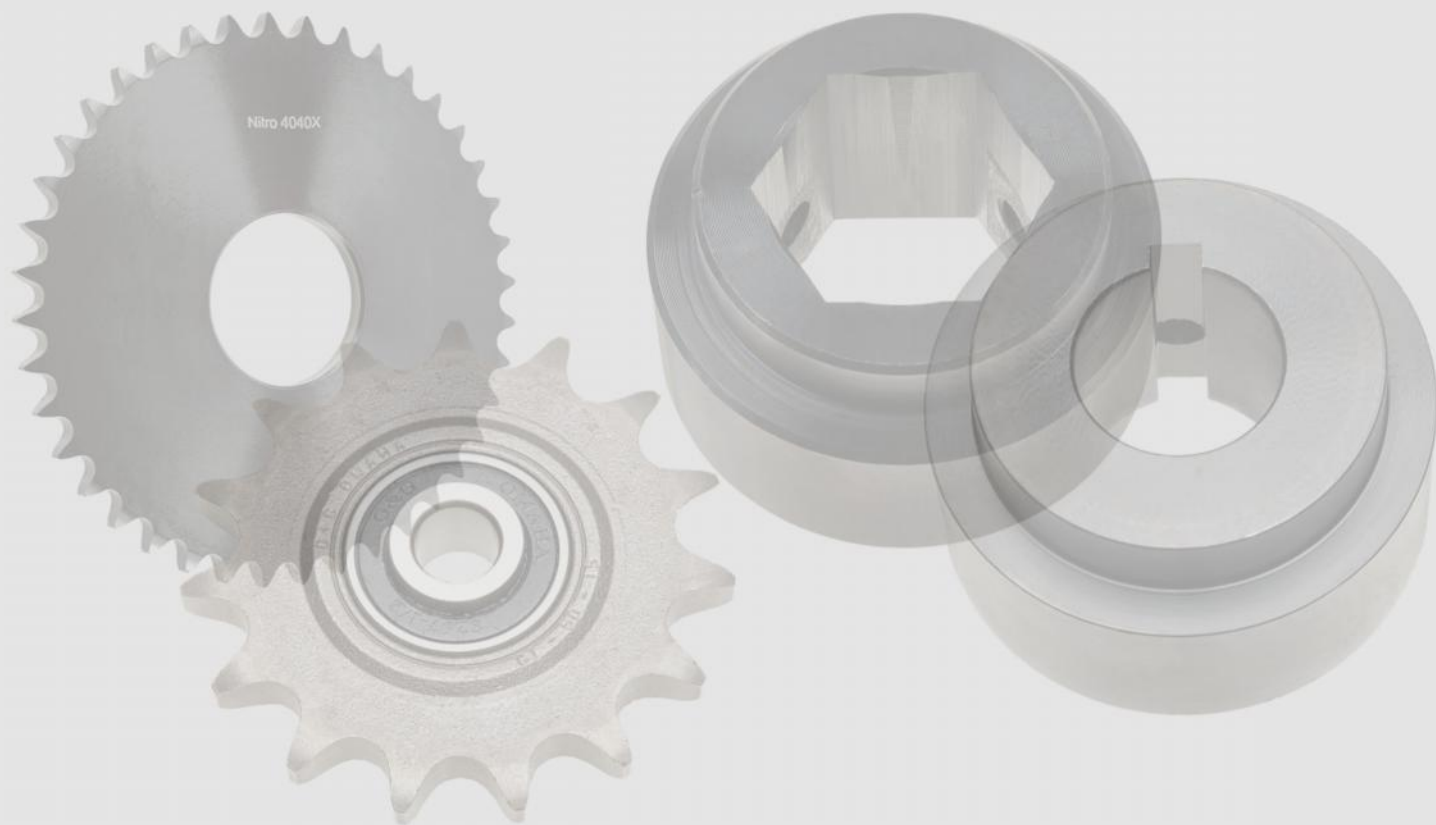


Table Of Contents

Finished Bore Sprockets (Type B/BS)

#35 Finished Bore Sprockets.....Page 6
#40 Finished Bore Sprockets.....Page 7
#50 Finished Bore Sprockets.....Page 8
#60 Finished Bore Sprockets.....Page 9
#80 Finished Bore Sprockets.....Page 10

Plain Bore Sprockets (Type B/PB)

#35 Plain Bore Sprockets.....Page 11
#40 Plain Bore Sprockets.....Page 12
#50 Plain Bore Sprockets.....Page 13
#60 Plain Bore Sprockets.....Page 14
#80 Plain Bore Sprockets.....Page 15

Flat Plate Sprockets (Type A)

#35 Type A Sprockets.....Page 16
#40 Type A Sprockets.....Page 17
#50 Type A Sprockets.....Page 18
#60 Type A Sprockets.....Page 19
#80 Type A Sprockets.....Page 20

Weld On Sprockets (X Series)

#40 Weld On Sprockets.....Page 22
#50 Weld On Sprockets.....Page 23-24
#60 Weld On Sprockets.....Page 25-26
#80 Weld On Sprockets.....Page 27
#100 Weld On Sprockets.....Page 28
Welding Instructions.....Page 29

Idler Sprockets (Type BB)

#35 Idler Sprockets.....Page 34
#40 Idler Sprockets.....Page 34
#50 Idler Sprockets.....Page 34
#60 Idler Sprockets.....Page 34
#80 Idler Sprockets.....Page 34
#100 Idler Sprockets.....Page 34

QD (Quick Detachable) Sprockets

#40 QD Sprockets.....Page 35
#50 QD Sprockets.....Page 36
#60 QD Sprockets.....Page 37
#80 QD Sprockets.....Page 38
#100 QD Sprockets.....Page 39
#120 QD Sprockets.....Page 40

Weld On Hubs (X Series)

Finished Bore Hubs.....Page 30
Hex Bore Hubs.....Page 31
Square Bore Hubs.....Page 32
Spline Bore Hubs.....Page 33
Welding Instructions.....Page 29

QD (Quick Detachable) Hubs

QD Hubs.....Page 41

Made To Order Sprockets & Hubs

Made To Order.....Page 5

Sprocket Diameters By Size

#25 Thru #100.....Page 43-46
#120 Thru #240.....Page 47-50

Standards & Tolerances

Bores, Keyways & Setscrews....Page 42

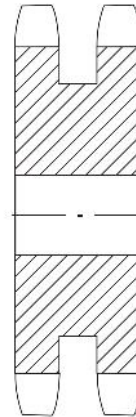
Types Of Sprockets

Type A

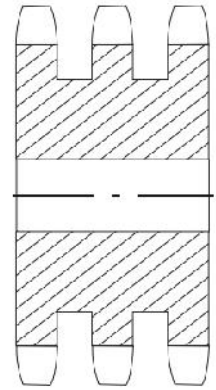
Flat hubless sprocket



Single



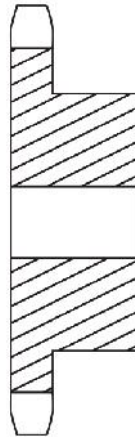
Double



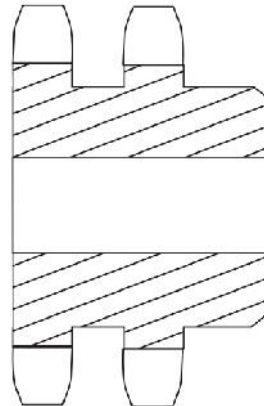
Triple

Type B

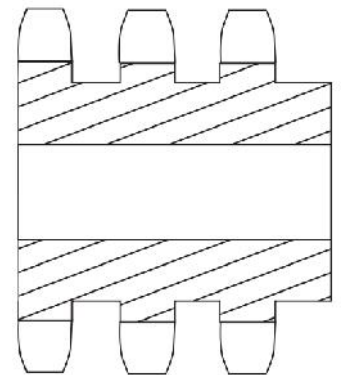
Sprocket with a hub.



Single



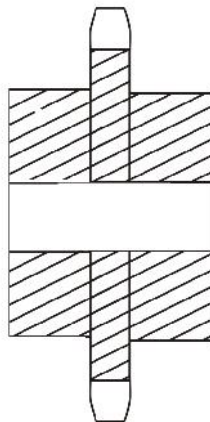
Double



Triple

Type C

Sprocket with two hubs.

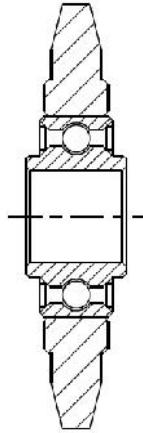


Single

Types Of Sprockets

Type BB

Idler Sprocket.
Fastened with a
sealed ball bearing.



Single

Type QD

Quick detachable
sprocket



Single

Weld On

Weld on sprocket



Single

Made To Order Sprockets

Nitro Power Products offers made to order sprockets in wide range of materials and finishes. Sprockets can be manufactured with bushings, bearings, special bore sizes, bolt hole patterns, snap ring grooves and much more.

Send us a request to quotes@nitropowerproducts.com

Available Sprocket Sizes

- ◆ ANSI 25 thru 240
- ◆ BS/DIN 06B thru 48B
- ◆ 81X Series
- ◆ Conveyor C2040 thru C2160
- ◆ Oversized C2042 thru C2162
- ◆ Agricultural CA550 thru CA620

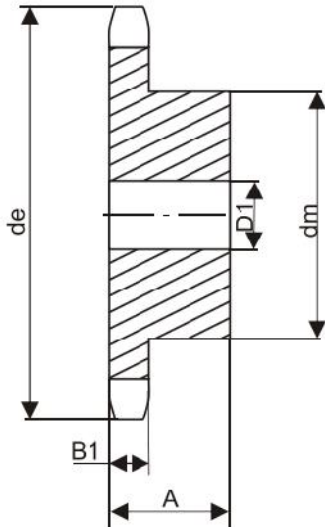
Materials

- ◆ Steel
- ◆ Aluminum
- ◆ Plastic/Nylon
- ◆ Stainless Steel

Industries / Markets

- ◆ Automation
- ◆ Agricultural
- ◆ Aggregate
- ◆ Lumber / Forestry
- ◆ Mining
- ◆ Material Handling
- ◆ Conveyor
- ◆ Marine
- ◆ Construction
- ◆ Pulp & Paper Mills
- ◆ And more...

#35 Type B/BS Finished Bore ANSI Sprocket



- Heat treated teeth
- Keyway & 2 setscrews*
- Black oxide finish
- Manufactured from 1045 steel
- Fits ANSI #35 (3/8" Pitch) roller chain
- Sprockets are available in several bore sizes

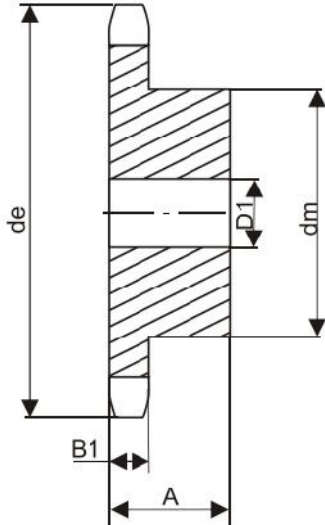
*Keyway is timed with a tooth. 1 Setscrew over keyway & 1 90° off.

Nitro Sprocket Size	Number of Teeth	Outside Diameter	Length Thru Bore	Hub Diameter	Sprocket Thickness
-	-	de	A	dm	B1
35B9*	9	1.255	3/4	0.844	0.168
35B10*	10	1.379	3/4	1	0.168
35B11*	11	1.502	3/4	1-1/16	0.168
35B12*	12	1.625	3/4	1-1/4	0.168
35B13*	13	1.746	3/4	1-1/8	0.168
35B14	14	1.868	3/4	1-1/4	0.168
35B15	15	1.989	3/4	1-1/2	0.168
35B16	16	2.110	3/4	1-5/8	0.168
35B17	17	2.231	3/4	1-5/8	0.168
35B18	18	2.352	3/4	1-3/4	0.168
35B19	19	2.472	3/4	1-13/16	0.168
35B20	20	2.593	3/4	1-15/16	0.168
35B21	21	2.713	3/4	2	0.168
35B24	24	3.073	7/8	2	0.168
35B25	25	3.193	7/8	2	0.168
35B28	28	3.553	7/8	2	0.168
35B30	30	3.793	7/8	2	0.168

* Recessed groove for chain clearance

Larger tooth counts available by quotation

#40 Type B/BS Finished Bore ANSI Sprocket



- Heat treated teeth
- Keyway & 2 setscrews*
- Black oxide finish
- Manufactured from 1045 steel
- Fits ANSI #40 (1/2" Pitch) roller chain
- Sprockets are available in several bore sizes

*Keyway is timed with a tooth. 1 Setscrew over keyway & 1 90° off

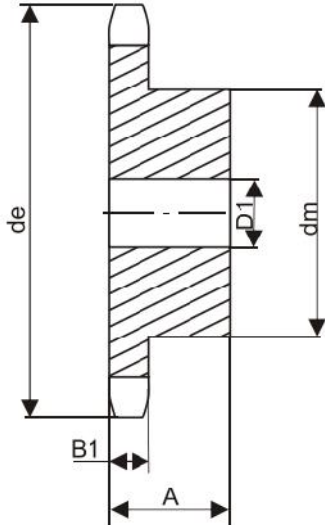
Nitro Sprocket Size	Number of Teeth	Outside Diameter	Length Thru Bore	Hub Diameter	Sprocket Thickness
-	-	de	A	dm	B1
40B9*	9	1.674	7/8	1-1/8	0.284
40B10*	10	1.839	7/8	1-1/4	0.284
40B11*	11	2.003	7/8	1-7/16	0.284
40B12*	12	2.166	7/8	1-9/16	0.284
40B13*	13	2.329	7/8	1-9/16	0.284
40B14*	14	2.491	7/8	1-11/16	0.284
40B15	15	2.653	7/8	1-13/16	0.284
40B16	16	2.814	7/8	2	0.284
40B17	17	2.975	1	2-1/8	0.284
40B18	18	3.136	1	2-5/16	0.284
40B19	19	3.297	1	2-1/2	0.284
40B20	20	3.457	1	2-5/8	0.284
40B21	21	3.618	1	2-3/4	0.284
40B22	22	3.778	1	2-7/8	0.284

Nitro Sprocket Size	Number of Teeth	Outside Diameter	Length Thru Bore	Hub Diameter	Sprocket Thickness
-	-	de	A	dm	B1
40B23	23	3.938	1	3	0.284
40B24	24	4.098	1	3-1/4	0.284
40B25	25	4.258	1	3-1/4	0.284
40B26	26	4.418	1	3-1/4	0.284
40B27	27	4.587	1	3-1/4	0.284
40B28	28	4.738	1	3-1/4	0.284
40B29	29	4.898	1	3-1/4	0.284
40B30	30	5.057	1	3-1/4	0.284
40B32	32	5.377	1	3-1/4	0.284
40B35	35	5.856	1	3-1/4	0.284
40B36	36	6.015	1	3-1/4	0.284
40B40	40	6.653	1-1/8	3-1/2	0.284
40B45	45	7.451	1-1/8	3-1/2	0.284
40B60	60	9.841	1-1/8	3-1/2	0.284

* Recessed groove for chain clearance

Larger tooth counts available by quotation

#50 Type B/BS Finished Bore ANSI Sprocket



- Heat treated teeth
- Keyway & 2 setscrews*
- Black oxide finish
- Manufactured from 1045 steel
- Fits ANSI #50 (5/8" Pitch) roller chain
- Sprockets are available in several bore sizes

*Keyway is timed with a tooth. 1 Setscrew over keyway & 1 90° off

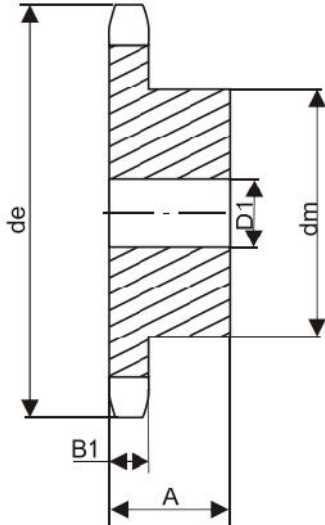
Nitro Sprocket Size	Number of Teeth	Outside Diameter	Length Thru Bore	Hub Diameter	Sprocket Thickness
-	-	de	A	dm	B1
50B9*	9	2.092	1	1-3/8*	0.343
50B10*	10	2.299	1	1-9/16*	0.343
50B11*	11	2.504	1	1-3/4*	0.343
50B12*	12	2.708	1	1-63/64*	0.343
50B13	13	2.911	1	1-7/8*	0.343
50B14	14	3.114	1	2-1/8	0.343
50B15	15	3.316	1	2-3/8	0.343
50B16	16	3.517	1	2-1/2	0.343
50B17	17	3.719	1	2-11/16	0.343
50B18	18	3.919	1	2-7/8	0.343
50B19	19	4.121	1	3	0.343
50B20	20	4.321	1	3	0.343
50B21	21	4.521	1	3	0.343
50B22	22	4.722	1	3	0.343

Nitro Sprocket Size	Number of Teeth	Outside Diameter	Length Thru Bore	Hub Diameter	Sprocket Thickness
-	-	de	A	dm	B1
50B23	23	4.922	1	3	0.343
50B24	24	5.123	1-1/4	3	0.343
50B25	25	5.323	1-1/4	3	0.343
50B26	26	5.532	1-1/4	3	0.343
50B27	27	5.723	1-1/4	3	0.343
50B28	28	5.922	1-1/4	3	0.343
50B29	29	6.122	1-1/4	3	0.343
50B30	30	6.321	1-1/4	3-1/4	0.343
50B32	32	6.721	1-1/4	3-1/4	0.343
50B36	36	7.519	1-1/4	3-1/4	0.343
50B40	40	8.316	1-1/4	3-1/4	0.343

* Recessed groove for chain clearance

Larger tooth counts available by quotation

#60 Type B/BS Finished Bore ANSI Sprocket



- Heat treated teeth
- Keyway & 2 setscrews*
- Black oxide finish
- Manufactured from 1045 steel
- Fits ANSI #60 (3/4" Pitch) roller chain
- Sprockets are available in several bore sizes

*Keyway is timed with a tooth. 1 Setscrew over keyway & 1 90° off

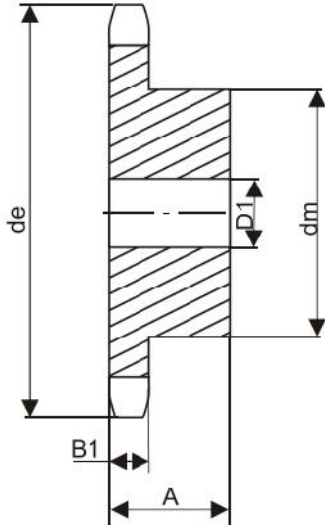
Nitro Sprocket Size	Number of Teeth	Outside Diameter	Length Thru Bore	Hub Diameter	Sprocket Thickness
-	-	de	A	dm	B1
60B9*	9	2.510	1-1/4	1-11/16*	0.459
60B10*	10	2.759	1-1/4	1-15/16*	0.459
60B11*	11	3.005	1-1/4	2-1/16*	0.459
60B12*	12	3.249	1-1/4	2-3/8*	0.459
60B13	13	3.493	1-1/4	2-1/4	0.459
60B14	14	3.736	1-1/4	2-9/16	0.459
60B15	15	3.979	1-1/4	2-5/8	0.459
60B16	16	4.220	1-1/4	3-1/16	0.459
60B17	17	4.463	1-1/4	3-1/4	0.459
60B18	18	4.703	1-1/4	3-1/2	0.459
60B19	19	4.945	1-1/4	3-1/2	0.459
60B20	20	5.186	1-1/4	3-7/8	0.459
60B21	21	5.426	1-1/4	4	0.459
60B22	22	5.666	1-1/4	4	0.459

Nitro Sprocket Size	Number of Teeth	Outside Diameter	Length Thru Bore	Hub Diameter	Sprocket Thickness
-	-	de	A	dm	B1
60B23	23	5.906	1-1/4	4	0.459
60B24	24	6.147	1-1/4	4	0.459
60B25	25	6.387	1-1/4	4	0.459
60B26	26	6.627	1-1/4	4	0.459
60B27	27	6.867	1-1/4	4	0.459
60B28	28	7.106	1-1/4	4	0.459
60B30	30	7.586	1-1/4	4	0.459
60B32	32	8.065	1-1/4	4	0.459
60B35	35	8.783	1-1/4	4	0.459
60B36	36	9.023	1-1/4	4	0.459

* Recessed groove for chain clearance

Larger tooth counts available by quotation

#80 Type B/BS Finished Bore ANSI Sprocket



- Heat treated teeth
- Keyway & 2 setscrews*
- Black oxide finish
- Manufactured from 1045 steel
- Fits ANSI #80 (1" Pitch) roller chain
- Sprockets are available in several bore sizes

*Keyway is timed with a tooth. 1 Setscrew over keyway & 1 90° off

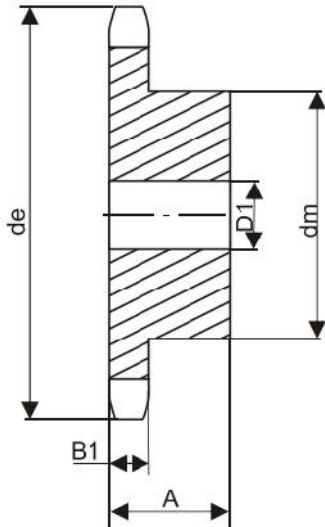
Nitro Sprocket Size	Number of Teeth	Outside Diameter	Length Thru Bore	Hub Diameter	Sprocket Thickness
-	-	de	A	dm	B1
80B9*	9	3.347	1-5/8	2-1/4*	0.579
80B10*	10	3.678	1-5/8	2-9/16*	0.579
80B11*	11	4.000	1-5/8	2-13/16*	0.579
80B12*	12	4.332	1-5/8	3-1/8*	0.579
80B13	13	4.657	1-1/2	3	0.579
80B14	14	4.982	1-1/2	3-1/4	0.579
80B15	15	5.305	1-1/2	3-13/16	0.579
80B16	16	5.627	1-1/2	4	0.579
80B17	17	5.950	1-1/2	4-1/4	0.579
80B18	18	6.271	1-1/2	4-1/4	0.579
80B19	19	6.593	1-1/2	4-1/4	0.579
80B20	20	6.914	1-1/2	4-1/4	0.579
80B22	22	7.555	1-3/4	4-1/4	0.579
80B23	23	7.876	1-3/4	4-1/4	0.579

Nitro Sprocket Size	Number of Teeth	Outside Diameter	Length Thru Bore	Hub Diameter	Sprocket Thickness
-	-	de	A	dm	B1
80B24	24	8.196	1-3/4	4-1/4	0.579

* Recessed groove for chain clearance

Larger tooth counts available by quotation

#35 Type B/PB Plain Bore ANSI Sprocket



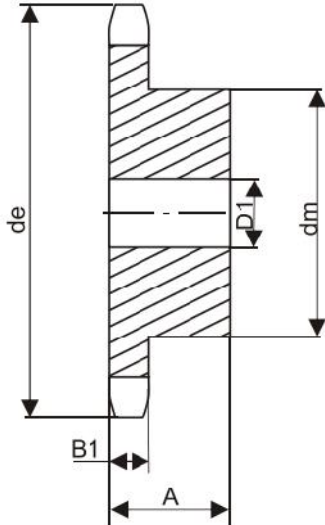
- Heat treated teeth
- MPB—Minimum Plain Bore
- Black oxide finish
- Manufactured from 1045 steel
- Fits ANSI #35 (3/8" Pitch) roller chain

Nitro Sprocket Size	Number of Teeth	Outside Diameter	Length Thru Bore	Hub Diameter	Sprocket Thickness
-	-	de	A	dm	B1
35PB9*	9	1.255	3/4	0.844	0.168
35PB10*	10	1.379	3/4	1	0.168
35PB11*	11	1.502	3/4	1-1/16	0.168
35PB12*	12	1.625	3/4	1-1/4	0.168
35PB13*	13	1.746	3/4	1-1/8	0.168
35PB14	14	1.868	3/4	1-1/4	0.168
35PB15	15	1.989	3/4	1-1/2	0.168
35PB16	16	2.110	3/4	1-5/8	0.168
35PB17	17	2.231	3/4	1-5/8	0.168
35PB18	18	2.352	3/4	1-3/4	0.168
35PB19	19	2.472	3/4	1-13/16	0.168
35PB20	20	2.593	3/4	1-15/16	0.168
35PB21	21	2.713	3/4	2	0.168
35PB24	24	3.073	7/8	2	0.168
35PB25	25	3.193	7/8	2	0.168
35PB28	28	3.553	7/8	2	0.168
35PB30	30	3.793	7/8	2	0.168

* Recessed groove for chain clearance

Larger tooth counts available by quotation

#40 Type B/PB Plain Bore ANSI Sprocket



- Heat treated teeth
- MPB—Minimum Plain Bore
- Black oxide finish
- Manufactured from 1045 steel
- Fits ANSI #40 (1/2" Pitch) roller chain

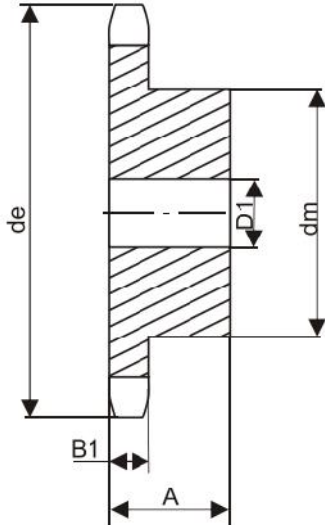
Nitro Sprocket Size	Number of Teeth	Outside Diameter	Length Thru Bore	Hub Diameter	Sprocket Thickness
-	-	de	A	dm	B1
40PB9*	9	1.674	7/8	1-1/8	0.284
40PB10*	10	1.839	7/8	1-1/4	0.284
40PB11*	11	2.003	7/8	1-7/16	0.284
40PB12*	12	2.166	7/8	1-9/16	0.284
40PB13*	13	2.329	7/8	1-9/16	0.284
40PB14*	14	2.491	7/8	1-11/16	0.284
40PB15	15	2.653	7/8	1-13/16	0.284
40PB16	16	2.814	7/8	2	0.284
40PB17	17	2.975	1	2-1/8	0.284
40PB18	18	3.136	1	2-5/16	0.284
40PB19	19	3.297	1	2-1/2	0.284
40PB20	20	3.457	1	2-5/8	0.284
40PB21	21	3.618	1	2-3/4	0.284
40PB22	22	3.778	1	2-7/8	0.284

Nitro Sprocket Size	Number of Teeth	Outside Diameter	Length Thru Bore	Hub Diameter	Sprocket Thickness
-	-	de	A	dm	B1
40PB23	23	3.938	1	3	0.284
40PB24	24	4.098	1	3-1/4	0.284
40PB25	25	4.258	1	3-1/4	0.284
40PB26	26	4.418	1	3-1/4	0.284
40PB27	27	4.587	1	3-1/4	0.284
40PB28	28	4.738	1	3-1/4	0.284
40PB29	29	4.898	1	3-1/4	0.284
40PB30	30	5.057	1	3-1/4	0.284
40PB32	32	5.377	1	3-1/4	0.284
40PB35	35	5.856	1	3-1/4	0.284
40PB36	36	6.015	1	3-1/4	0.284
40PB40	40	6.653	1-1/8	3-1/2	0.284
40PB45	45	7.451	1-1/8	3-1/2	0.284
40PB60	60	9.841	1-1/8	3-1/2	0.284

* Recessed groove for chain clearance

Larger tooth counts available by quotation

#50 Type B/PB Plain Bore ANSI Sprocket



- Heat treated teeth
- MPB– Minimum Plain Bore
- Black oxide finish
- Manufactured from 1045 steel
- Fits ANSI #50 (5/8" Pitch) roller chain

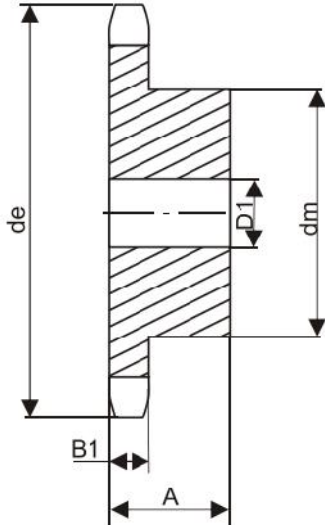
Nitro Sprocket Size	Number of Teeth	Outside Diameter	Length Thru Bore	Hub Diameter	Sprocket Thickness
-	-	de	A	dm	B1
50PB9*	9	2.092	1	1-3/8*	0.343
50PB10*	10	2.299	1	1-9/16*	0.343
50PB11*	11	2.504	1	1-3/4*	0.343
50PB12*	12	2.708	1	1-63/64*	0.343
50PB13	13	2.911	1	1-7/8*	0.343
50PB14	14	3.114	1	2-1/8	0.343
50PB15	15	3.316	1	2-3/8	0.343
50PB16	16	3.517	1	2-1/2	0.343
50PB17	17	3.719	1	2-11/16	0.343
50PB18	18	3.919	1	2-7/8	0.343
50PB19	19	4.121	1	3	0.343
50PB20	20	4.321	1	3	0.343
50PB21	21	4.521	1	3	0.343
50PB22	22	4.722	1	3	0.343

Nitro Sprocket Size	Number of Teeth	Outside Diameter	Length Thru Bore	Hub Diameter	Sprocket Thickness
-	-	de	A	dm	B1
50PB23	23	4.922	1	3	0.343
50PB24	24	5.123	1-1/4	3	0.343
50PB25	25	5.323	1-1/4	3	0.343
50PB26	26	5.532	1-1/4	3	0.343
50PB27	27	5.723	1-1/4	3	0.343
50PB28	28	5.922	1-1/4	3	0.343
50PB29	29	6.122	1-1/4	3	0.343
50PB30	30	6.321	1-1/4	3-1/4	0.343
50PB32	32	6.721	1-1/4	3-1/4	0.343
50PB36	36	7.519	1-1/4	3-1/4	0.343
50PB40	40	8.316	1-1/4	3-1/4	0.343

* Recessed groove for chain clearance

Larger tooth counts available by quotation

#60 Type B/PB Plain Bore ANSI Sprocket



- Heat treated teeth
- MPB—Minimum Plain Bore
- Black oxide finish
- Manufactured from 1045 steel
- Fits ANSI #60 (3/4" Pitch) roller chain

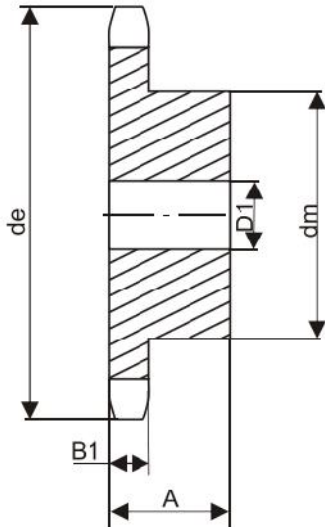
Nitro Sprocket Size	Number of Teeth	Outside Diameter	Length Thru Bore	Hub Diameter	Sprocket Thickness
-	-	de	A	dm	B1
60PB9*	9	2.510	1-1/4	1-11/16*	0.459
60PB10*	10	2.759	1-1/4	1-15/16*	0.459
60PB11*	11	3.005	1-1/4	2-1/16*	0.459
60PB12*	12	3.249	1-1/4	2-3/8*	0.459
60PB13	13	3.493	1-1/4	2-1/4	0.459
60PB14	14	3.736	1-1/4	2-9/16	0.459
60PB15	15	3.979	1-1/4	2-5/8	0.459
60PB16	16	4.220	1-1/4	3-1/16	0.459
60PB17	17	4.463	1-1/4	3-1/4	0.459
60PB18	18	4.703	1-1/4	3-1/2	0.459
60PB19	19	4.945	1-1/4	3-1/2	0.459
60PB20	20	5.186	1-1/4	3-7/8	0.459
60PB21	21	5.426	1-1/4	4	0.459
60PB22	22	5.666	1-1/4	4	0.459

Nitro Sprocket Size	Number of Teeth	Outside Diameter	Length Thru Bore	Hub Diameter	Sprocket Thickness
-	-	de	A	dm	B1
60PB23	23	5.906	1-1/4	4	0.459
60PB24	24	6.147	1-1/4	4	0.459
60PB25	25	6.387	1-1/4	4	0.459
60PB26	26	6.627	1-1/4	4	0.459
60PB27	27	6.867	1-1/4	4	0.459
60PB28	28	7.106	1-1/4	4	0.459
60PB30	30	7.586	1-1/4	4	0.459
60PB32	32	8.065	1-1/4	4	0.459
60PB35	35	8.783	1-1/4	4	0.459
60PB36	36	9.023	1-1/4	4	0.459

* Recessed groove for chain clearance

Larger tooth counts available by quotation

#80 Type B/PB Plain Bore ANSI Sprocket



- Heat treated teeth
- MPB—Minimum Plain Bore
- Black oxide finish
- Manufactured from 1045 steel
- Fits ANSI #80 (1" Pitch) roller chain

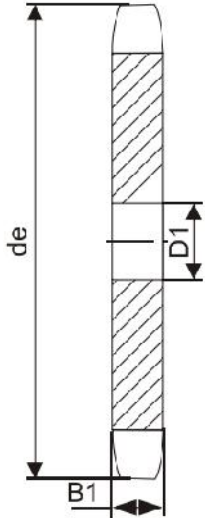
Nitro Sprocket Size	Number of Teeth	Outside Diameter	Length Thru Bore	Hub Diameter	Sprocket Thickness
-	-	de	A	dm	B1
80PB9*	9	3.347	1-5/8	2-1/4*	0.579
80PB10*	10	3.678	1-5/8	2-9/16*	0.579
80PB11*	11	4.000	1-5/8	2-13/16*	0.579
80PB12*	12	4.332	1-5/8	3-1/8*	0.579
80PB13	13	4.657	1-1/2	3	0.579
80PB14	14	4.982	1-1/2	3-1/4	0.579
80PB15	15	5.305	1-1/2	3-13/16	0.579
80PB16	16	5.627	1-1/2	4	0.579
80PB17	17	5.950	1-1/2	4-1/4	0.579
80PB18	18	6.271	1-1/2	4-1/4	0.579
80PB19	19	6.593	1-1/2	4-1/4	0.579
80PB20	20	6.914	1-1/2	4-1/4	0.579
80PB22	22	7.555	1-3/4	4-1/4	0.579
80PB23	23	7.876	1-3/4	4-1/4	0.579

Nitro Sprocket Size	Number of Teeth	Outside Diameter	Length Thru Bore	Hub Diameter	Sprocket Thickness
-	-	de	A	dm	B1
80PB24	24	8.196	1-3/4	4-1/4	0.579

* Recessed groove for chain clearance

Larger tooth counts available by quotation

#35 Type A ANSI Plate Sprocket



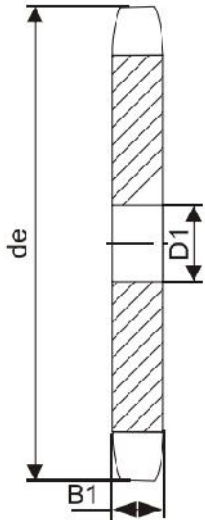
- Heat treated teeth
- Black oxide finish
- Manufactured from 1045 steel
- Fits ANSI #35 (3/8" Pitch) roller chain

Nitro Sprocket Size	Number of Teeth	Outside Diameter	Bore	Sprocket Thickness
-	-	de	D1	B1
35A15	15	1.989	1/2	0.168
35A16	16	2.110	1/2	0.168
35A17	17	2.231	1/2	0.168
35A18	18	2.352	1/2	0.168
35A19	19	2.472	1/2	0.168
35A20	20	2.593	1/2	0.168
35A22	22	2.830	1/2	0.168
35A23	23	2.950	1/2	0.168
35A24	24	3.074	1/2	0.168
35A25	25	3.194	1/2	0.168
35A26	26	3.310	1/2	0.168
35A27	27	3.430	1/2	0.168
35A28	28	3.553	1/2	0.168
35A30	30	3.790	1/2	0.168

Nitro Sprocket Size	Number of Teeth	Outside Diameter	Bore	Sprocket Thickness
-	-	de	D1	B1
35A32	32	4.030	5/8	0.168
35A35	35	4.390	5/8	0.168
35A36	36	4.510	5/8	0.168
35A40	40	4.990	5/8	0.168

Larger tooth counts available by quotation

#40 Type A ANSI Plate Sprocket



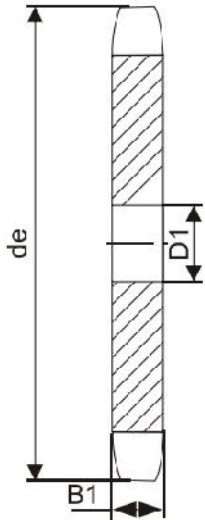
- Heat treated teeth
- Black oxide finish
- Manufactured from 1045 steel
- Fits ANSI #40 (1/2" Pitch) roller chain

Nitro Sprocket Size	Number of Teeth	Outside Diameter	Bore	Sprocket Thickness
-	-	de	D1	B1
40A10	10	1.839	1/2	0.284
40A11	11	2.003	1/2	0.284
40A12	12	2.166	1/2	0.284
40A13	13	2.329	1/2	0.284
40A14	14	2.491	1/2	0.284
40A15	15	2.653	5/8	0.284
40A16	16	2.814	5/8	0.284
40A17	17	2.975	5/8	0.284
40A18	18	3.136	5/8	0.284
40A19	19	3.297	5/8	0.284
40A20	20	3.457	5/8	0.284
40A21	21	3.618	5/8	0.284
40A22	22	3.778	5/8	0.284
40A23	23	3.938	5/8	0.284

Nitro Sprocket Size	Number of Teeth	Outside Diameter	Bore	Sprocket Thickness
-	-	de	D1	B1
40A24	24	4.098	5/8	0.284
40A25	25	4.258	5/8	0.284
40A26	26	4.418	5/8	0.284
40A27	27	4.587	5/8	0.284
40A28	28	4.738	5/8	0.284
40A30	30	5.057	5/8	0.284
40A32	32	5.377	5/8	0.284
40A35	35	5.856	5/8	0.284
40A36	36	6.015	5/8	0.284
40A40	40	6.653	5/8	0.284
40A45	45	7.451	3/4	0.284
40A48	48	7.929	3/4	0.284

Larger tooth counts available by quotation

#50 Type A ANSI Plate Sprocket

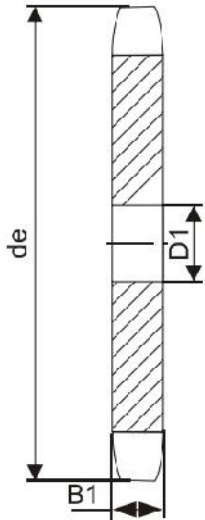


- Heat treated teeth
- Black oxide finish
- Manufactured from 1045 steel
- Fits ANSI #50 (5/8" Pitch) roller chain

Nitro Sprocket Size	Number of Teeth	Outside Diameter	Bore	Sprocket Thickness	Nitro Sprocket Size	Number of Teeth	Outside Diameter	Bore	Sprocket Thickness
-	-	de	D1	B1	-	-	de	D1	B1
50A10	10	2.299	1/2	0.343	50A24	24	5.123	3/4	0.343
50A11	11	2.504	1/2	0.343	50A25	25	5.323	3/4	0.343
50A12	12	2.708	5/8	0.343	50A26	26	5.532	3/4	0.343
50A13	13	2.911	5/8	0.343	50A27	27	5.723	3/4	0.343
50A14	14	3.114	5/8	0.343	50A28	28	5.922	3/4	0.343
50A15	15	3.316	5/8	0.343	50A30	30	6.321	3/4	0.343
50A16	16	3.517	5/8	0.343	50A32	32	6.721	3/4	0.343
50A17	17	3.719	5/8	0.343	50A34	34	7.120	3/4	0.343
50A18	18	3.919	5/8	0.343	50A36	36	7.519	3/4	0.343
50A19	19	4.121	5/8	0.343	50A40	40	8.316	3/4	0.343
50A20	20	4.321	3/4	0.343					
50A21	21	4.521	3/4	0.343					
50A22	22	4.722	3/4	0.343					
50A23	23	4.922	3/4	0.343					

Larger tooth counts available by quotation

#60 Type A ANSI Plate Sprocket



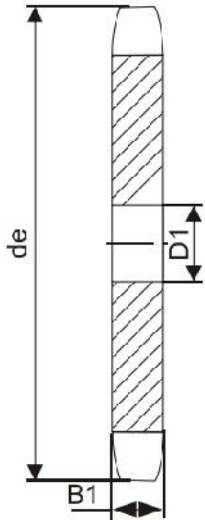
- Heat treated teeth
- Black oxide finish
- Manufactured from 1045 steel
- Fits ANSI #60 (3/4" Pitch) roller chain

Nitro Sprocket Size	Number of Teeth	Outside Diameter	Bore	Sprocket Thickness
-	-	de	D1	B1
60A9	9	2.510	1/2	0.459
60A10	10	2.759	3/4	0.459
60A11	11	3.005	3/4	0.459
60A12	12	3.249	3/4	0.459
60A13	13	3.493	3/4	0.459
60A14	14	3.736	3/4	0.459
60A15	15	3.979	3/4	0.459
60A16	16	4.220	3/4	0.459
60A17	17	4.463	3/4	0.459
60A18	18	4.703	3/4	0.459
60A19	19	4.945	3/4	0.459
60A20	20	5.186	3/4	0.459
60A21	21	5.426	3/4	0.459
60A22	22	5.666	3/4	0.459
60A23	23	5.906	3/4	0.459

Nitro Sprocket Size	Number of Teeth	Outside Diameter	Bore	Sprocket Thickness
-	-	de	D1	B1
60A24	24	6.147	3/4	0.459
60A25	25	6.387	3/4	0.459
60A26	26	6.627	3/4	0.459
60A27	27	6.867	3/4	0.459
60A28	28	7.106	3/4	0.459
60A30	30	7.586	3/4	0.459
60A32	32	8.065	3/4	0.459
60A34	34	8.544	1	0.459
60A35	35	8.783	1	0.459
60A36	36	9.023	1	0.459
60A40	40	9.980	1	0.459

Larger tooth counts available by quotation

#80 Type A ANSI Plate Sprocket



- Heat treated teeth
- Black oxide finish
- Manufactured from 1045 steel
- Fits ANSI #80 (1" Pitch) roller chain

Nitro Sprocket Size	Number of Teeth	Outside Diameter	Bore	Sprocket Thickness
-	-	de	D1	B1
80A9	9	3.347	15/16	0.575
80A10	10	3.678	15/16	0.575
80A11	11	4.000	15/16	0.575
80A12	12	4.332	15/16	0.575
80A13	13	4.657	15/16	0.575
80A14	14	4.982	15/16	0.575
80A15	15	5.305	15/16	0.575
80A16	16	5.627	15/16	0.575
80A17	17	5.950	15/16	0.575
80A18	18	6.271	15/16	0.575
80A19	19	6.593	15/16	0.575
80A20	20	6.914	15/16	0.575
80A21	21	7.235	15/16	0.575
80A22	22	7.555	15/16	0.575
80A23	23	7.875	15/16	0.575

Nitro Sprocket Size	Number of Teeth	Outside Diameter	Bore	Sprocket Thickness
-	-	de	D1	B1
80A24	24	8.196	15/16	0.575
80A25	25	8.516	15/16	0.575
80A26	26	8.836	13/16	0.575
80A27	27	9.156	13/16	0.575
80A28	28	9.475	13/16	0.575
80A30	30	10.114	13/16	0.575
80A32	32	10.753	13/16	0.575
80A34	34	11.392	13/16	0.575
80A35	35	11.711	13/16	0.575
80A36	36	12.030	13/16	0.575
80A40	40	13.306	13/16	0.575

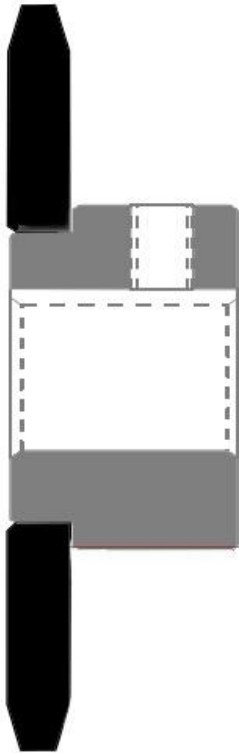
Larger tooth counts available by quotation

Nitro™ Weld On Sprockets (X Series)

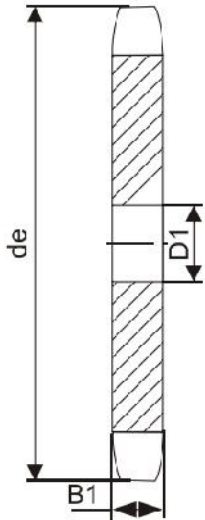
This allows us to offer a larger variety of tooth counts & bores sizes without having to stock every variation.

1. Select a sprocket/chain size
2. Select a diameter or tooth count
3. Select a hub - Finished Bore, Hex Bore, Square Bore Or Spline Bore
4. Finally, weld together!*

*Welding instructions on page 29



#40 Weld On ANSI Sprocket (X Series)

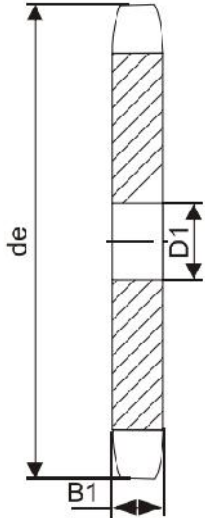


- Black oxide finish
- Manufactured from 1045 steel
- Fits ANSI #40 (1/2" Pitch) roller chain
- Accepts any X series weld on hubs

Nitro Sprocket Size	Chain Size	Number of Teeth	Outside Diameter	Bore
-	-	-	de	D1
4020X	40	20	3.457	2
4021X	40	21	3.618	2
4022X	40	22	3.778	2
4023X	40	23	3.938	2
4024X	40	24	4.098	2
4025X	40	25	4.258	2
4026X	40	26	4.418	2
4027X	40	27	4.587	2
4028X	40	28	4.738	2
4029X	40	29	4.898	2
4030X	40	30	5.057	2
4031X	40	31	5.217	2
4032X	40	32	5.377	2
4033X	40	33	5.537	2
4035X	40	35	5.856	2
4036X	40	36	6.015	2
4038X	40	38	6.334	2

Nitro Sprocket Size	Chain Size	Number of Teeth	Outside Diameter	Bore
-	-	-	de	D1
4039X	40	39	6.494	2
4040X	40	40	6.653	2
4042X	40	42	6.972	2
4044X	40	44	7.291	2
4045X	40	45	7.451	2
4046X	40	46	7.610	2
4048X	40	48	7.929	2
4054X	40	54	8.885	2
4060X	40	60	9.841	2
4065X	40	65	10.637	2
4070X	40	70	11.433	2
4072X	40	72	11.752	2
4080X	40	80	13.026	2
4084X	40	84	13.663	2
4096X	40	96	15.573	2
40112X	40	112	18.120	2

#50 Weld On ANSI Sprocket (X Series)



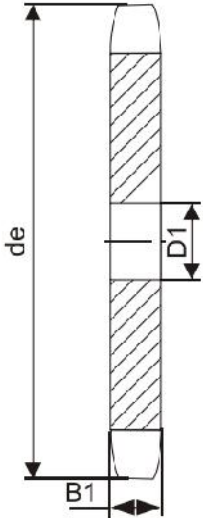
- Black oxide finish
- Manufactured from 1045 steel
- Fits ANSI #50 (5/8" Pitch) roller chain
- Accepts any X series weld on hubs

Nitro Sprocket Size	Chain Size	Number of Teeth	Outside Diameter	Bore
-	-	-	de	D1
5017X	50	17	3.719	2
5018X	50	18	3.919	2
5019X	50	19	4.121	2
5020X	50	20	4.321	2
5021X	50	21	4.521	2
5022X	50	22	4.722	2
5023X	50	23	4.922	2
5024X	50	24	5.123	2
5025X	50	25	5.323	2
5026X	50	26	5.532	2
5027X	50	27	5.723	2
5028X	50	28	5.922	2
5029X	50	29	6.122	2
5030X	50	30	6.321	2
5031X	50	31	6.521	2
5032X	50	32	6.721	2
5033X	50	33	6.921	2

Nitro Sprocket Size	Chain Size	Number of Teeth	Outside Diameter	Bore
-	-	-	de	D1
5034X	50	34	7.120	2
5035X	50	35	7.319	2
5036X	50	36	7.519	2
5037X	50	37	7.718	2
5038X	50	38	7.918	2
5039X	50	39	8.117	2
5040X	50	40	8.316	2
5041X	50	41	8.515	2
5042X	50	42	8.715	2
5043X	50	43	8.914	2
5044X	50	44	9.114	2
5045X	50	45	9.313	2
5048X	50	48	9.911	2
5050X	50	50	10.309	2
5052X	50	52	10.708	2
5054X	50	54	11.106	2

More sizes on the next page....

#50 Weld On ANSI Sprocket (X Series)

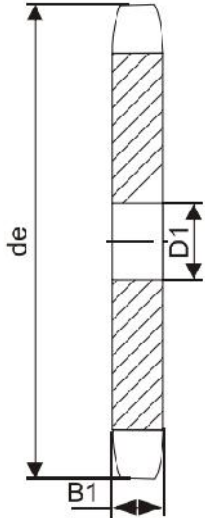


- Black oxide finish
- Manufactured from 1045 steel
- Fits ANSI #50 (5/8" Pitch) roller chain
- Accepts any X series weld on hubs

Nitro Sprocket Size	Chain Size	Number of Teeth	Outside Diameter	Bore
-	-	-	de	D1
5060X	50	60	12.301	2
5065X	50	65	13.296	2
5070X	50	70	14.292	2
5072X	50	72	14.690	2
5080X	50	80	16.283	2
5084X	50	84	17.079	2
5096X	50	96	19.467	2
50112X	50	112	22.651	2

Other tooth counts available by quotation

#60 Weld On ANSI Sprocket (X Series)



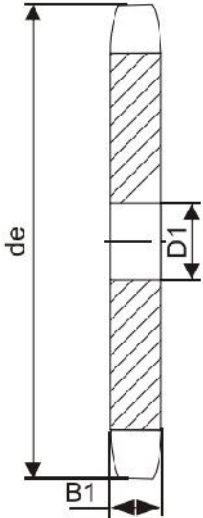
- Black oxide finish
- Manufactured from 1045 steel
- Fits ANSI #60 (3/4" Pitch) roller chain
- Accepts any X series weld on hubs

Nitro Sprocket Size	Chain Size	Number of Teeth	Outside Diameter	Bore
-	-	-	de	D1
6015X	60	15	3.979	2
6016X	60	16	4.220	2
6017X	60	17	4.463	2
6018X	60	18	4.703	2
6019X	60	19	4.945	2
6020X	60	20	5.186	2
6021X	60	21	5.426	2
6022X	60	22	5.666	2
6023X	60	23	5.906	2
6024X	60	24	6.147	2
6025X	60	25	6.387	2
6026X	60	26	6.627	2
6027X	60	27	6.867	2
6028X	60	28	7.106	2
6029X	60	29	7.346	2
6030X	60	30	7.586	2
6031X	60	31	7.826	2

Nitro Sprocket Size	Chain Size	Number of Teeth	Outside Diameter	Bore
-	-	-	de	D1
6032X	60	32	8.065	2
6033X	60	33	8.305	2
6034X	60	34	8.544	2
6035X	60	35	8.783	2
6036X	60	36	9.023	2
6038X	60	38	9.501	2
6039X	60	39	9.740	2
6040X	60	40	9.980	2
6041X	60	41	10.219	2
6042X	60	42	10.458	2
6045X	60	45	11.176	2
6048X	60	48	11.893	2
6050X	60	50	12.371	2
6052X	60	52	12.849	2
6054X	60	54	13.327	2
6060X	60	60	14.761	2

More sizes on the next page....

#60 Weld On ANSI Sprocket (X Series)

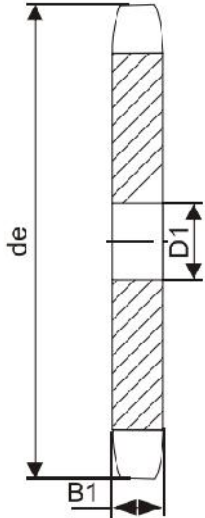


- Black oxide finish
- Manufactured from 1045 steel
- Fits ANSI #60 (3/4" Pitch) roller chain
- Accepts any X series weld on hubs

Nitro Sprocket Size	Chain Size	Number of Teeth	Outside Diameter	Bore
-	-	-	de	D1
6065X	60	65	15.956	2
6070X	60	70	17.150	2
6072X	60	72	17.628	2
6080X	60	80	19.539	2
6084X	60	84	20.495	2
6096X	60	96	28.360	2
60112X	60	112	27.181	2

Other tooth counts available by quotation

#80 Weld On ANSI Sprocket (X Series)



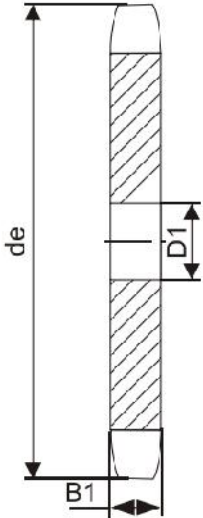
- Black oxide finish
- Manufactured from 1045 steel
- Fits ANSI #80 (1" Pitch) roller chain
- Accepts any X series weld on hubs

Nitro Sprocket Size	Chain Size	Number of Teeth	Outside Diameter	Bore
-	-	-	de	D1
8012X	80	12	4.332	2
8013X	80	13	4.657	2
8014X	80	14	4.982	2
8015X	80	15	5.305	2
8016X	80	16	5.627	2
8017X	80	17	5.950	2
8018X	80	18	6.271	2
8019X	80	19	6.593	2
8020X	80	20	6.914	2
8021X	80	21	7.235	2
8022X	80	22	7.555	2
8023X	80	23	7.875	2
8024X	80	24	8.196	2
8025X	80	25	8.516	2
8026X	80	26	8.836	2
8027X	80	27	9.156	2
8028X	80	28	9.475	2

Nitro Sprocket Size	Chain Size	Number of Teeth	Outside Diameter	Bore
-	-	-	de	D1
8029X	80	29	9.795	2
8030X	80	30	10.114	2
8032X	80	32	10.753	2
8033X	80	33	11.073	2
8034X	80	34	11.392	2
8035X	80	35	11.711	2
8036X	80	36	12.030	2
8038X	80	38	12.668	2
8040X	80	40	13.306	2
8042X	80	42	13.944	2
8045X	80	45	14.901	2
8048X	80	48	15.857	2
8050X	80	50	16.495	2

Other tooth counts available by quotation

#100 Weld On ANSI Sprocket (X Series)



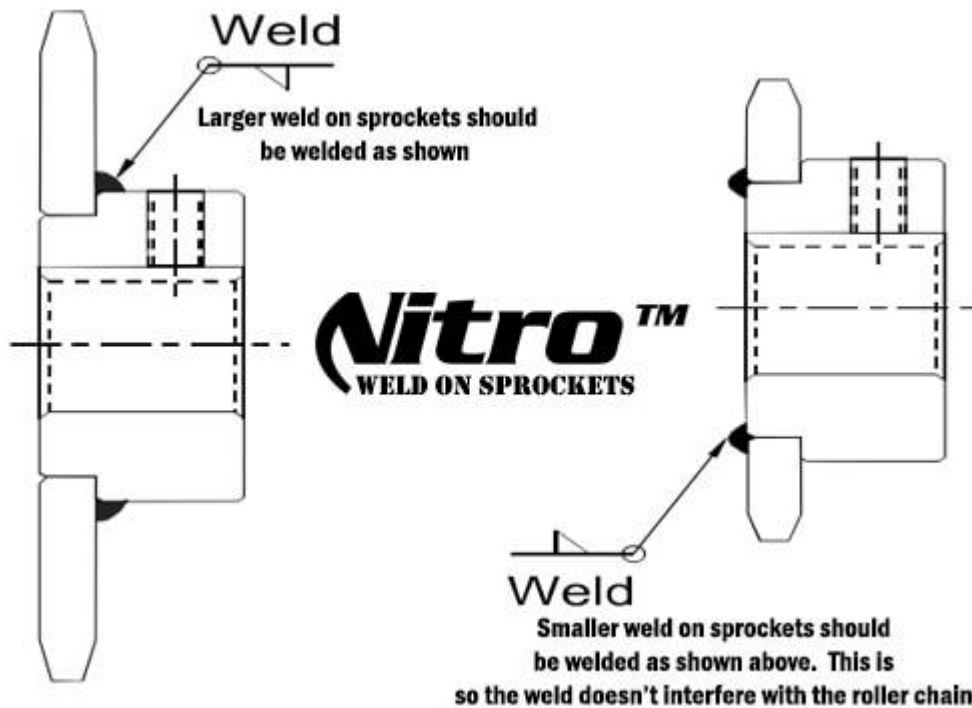
- Black oxide finish
- Manufactured from 1045 steel
- Fits ANSI #100 (1-1/4" Pitch) roller chain
- Accepts any X series weld on hubs

Nitro Sprocket Size	Chain Size	Number of Teeth	Outside Diameter	Bore
-	-	-	de	D1
10010X	100	10	4.598	2
10011X	100	11	5.008	2
10012X	100	12	5.415	2
10013X	100	13	5.821	2

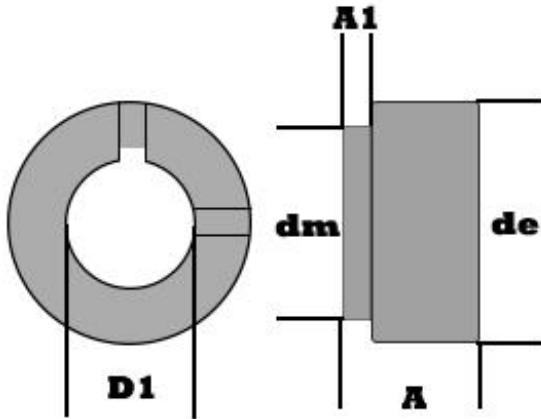
Larger tooth counts available by quotation

Weld On Hub & Sprocket Welding Instructions

It's recommended to use low hydrogen electrodes for welding sprockets & hubs together. Small diameter tooth counts should be welded on the outside (shown below), so the weld does not interfere with the chain.



X Series Finished Bore Weld On Hubs

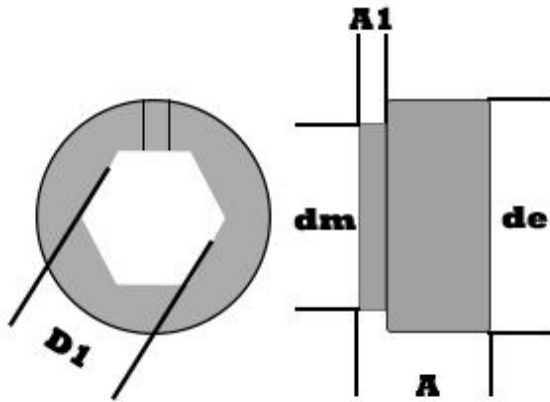


- Black oxide finish
- Manufactured from 1045 steel
- Fits any X series weld on sprockets or pulleys
- Keyway & 2 setscrews

Nitro Hub Size	Bore	Outside Diameter	Step Diameter	Step Width	Length Thru Bore
-	D1	de	dm	A1	A
HUBX-IDLER	5/8*	2-1/2	2	0.4375	11/16
HUBX1/2	1/2	2-1/2	2	0.4375	1.4375
HUBX5/8	5/8	2-1/2	2	0.4375	1.4375
HUBX11/16	11/16	2-1/2	2	0.4375	1.4375
HUBX3/4	3/4	2-1/2	2	0.4375	1.4375
HUBX13/16	13/16	2-1/2	2	0.4375	1.4375
HUX7/8	7/8	2-1/2	2	0.4375	1.4375
HUBX15/16	15/16	2-1/2	2	0.4375	1.4375
HUBX1	1	2-1/2	2	0.4375	1.4375
HUBX1-1/16	1-1/16	2-1/2	2	0.4375	1.4375
HUBX1-1/8	1-1/8	2-1/2	2	0.4375	1.4375
HUBX1-3/16	1-3/16	2-1/2	2	0.4375	1.4375
HUBX1-1/4	1-1/4	2-1/2	2	0.4375	1.4375
HUBX1-5/16	1-5/16	2-1/2	2	0.4375	1.4375
HUBX1-3/8	1-3/8	2-1/2	2	0.4375	1.4375
HUBX1-7/16	1-7/16	2-1/2	2	0.4375	1.4375
HUBX1-1/2	1-1/2	2-1/2	2	0.4375	1.4375

* Comes with 1/2" reducer bushing

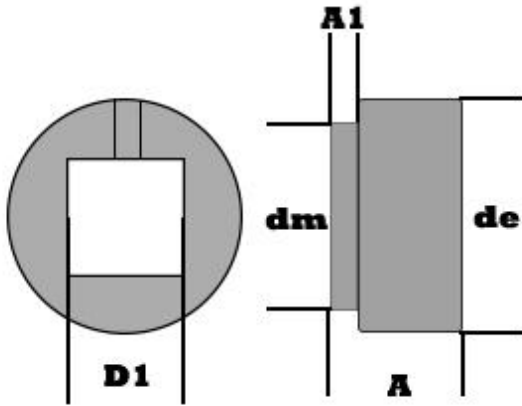
X Series Hex Bore Weld On Hubs



- Black oxide finish
- Manufactured from 1045 steel
- Fits any X series weld on sprockets or pulleys
- 2 setscrews

Nitro Hub Size	Bore	Outside Diameter	Step Diameter	Step Width	Length Thru Bore
-	D1	de	dm	A1	A
HUBX9/16-HEX	9/16	2-1/2	2	0.4375	1.4375
HUBX5/8-HEX	5/8	2-1/2	2	0.4375	1.4375
HUBX3/4-HEX	3/4	2-1/2	2	0.4375	1.4375
HUX7/8-HEX	7/8	2-1/2	2	0.4375	1.4375
HUBX1-HEX	1	2-1/2	2	0.4375	1.4375
HUBX1-1/8-HEX	1-1/8	2-1/2	2	0.4375	1.4375
HUBX1-1/4-HEX	1-1/4	2-1/2	2	0.4375	1.4375

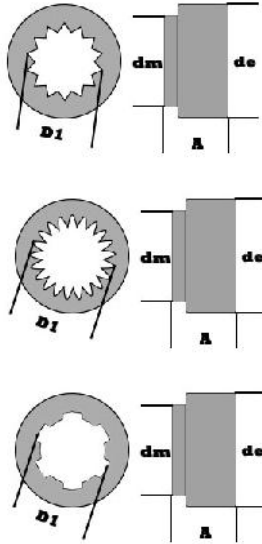
X Series Square Bore Weld On Hubs



- Black oxide finish
- Manufactured from 1045 steel
- Fits any X series weld on sprockets or pulleys
- 2 setscrews

Nitro Hub Size	Bore	Outside Diameter	Step Diameter	Step Width	Length Thru Bore
-	D1	de	dm	A1	A
HUBX1-SQUARE	9/16	2-1/2	2	0.4375	1.4375
HUBX1-1/8-SQUARE	5/8	2-1/2	2	0.4375	1.4375
HUBX1-1/4-SQUARE	3/4	2-1/2	2	0.4375	1.4375

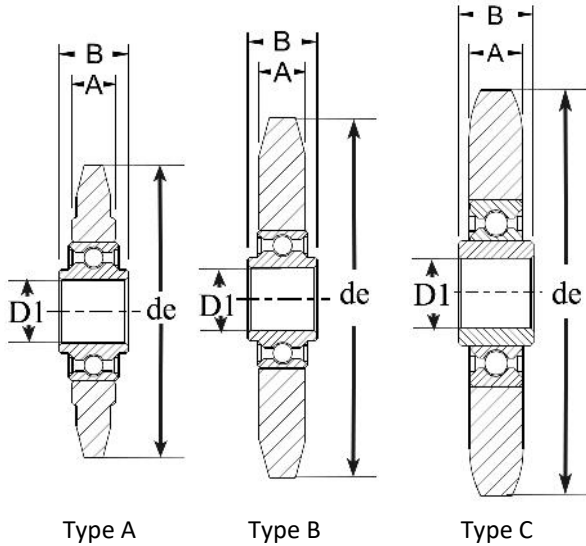
X Series Spline Bore Weld On Hubs



- Black oxide finish
- Manufactured from 1045 steel
- Fits any X series weld on sprockets or pulleys
- 1 setscrew

Nitro Hub Size	Bore	Spline	Outside Diameter	Step Diameter	Step Width	Length Thru Bore
-	D1		de	dm	A1	A
HUBX1-6SP	1	6	2-1/2	2	0.4375	1.4375
HUBX1-1/4-6SP	1-1/4	6	2-1/2	2	0.4375	1.4375
HUBX1-1/4-14SP	1-1/4	14	2-1/2	2	0.4375	1.4375
HUBX1-3/8-6SP	1-3/8	6	2-1/2	2	0.4375	1.4375
HUBX1-3/8-21SP	1-3/8	21	2-1/2	2	0.4375	1.4375

Type BB Idler Sprockets



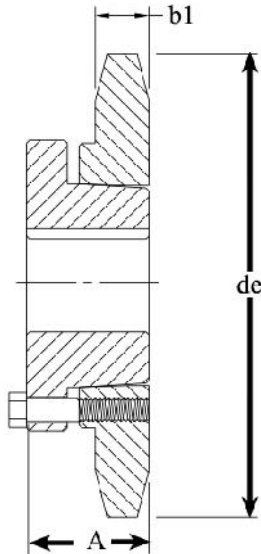
- Heat treated teeth
- Sealed ball bearing
- Wide inner ring
- Max recommended RPM: 1000
- Type A - #35, #40 & #50 Idler Sprockets
- Type B - #60 Idler Sprockets
- Type C - #80 Idler Sprockets

Nitro Sprocket Size	Chain Size	Number of Teeth	Bore	Outside Diameter	Length Thru Bore
-	-	-	D1	de	A
35BB18-1/2	35	18	1/2	2.352	11/16
35BB18-5/8	35	18	5/8	2.352	11/16
40BB17-1/2	40	17	1/2	2.975	11/16
40BB17-5/8	40	17	5/8	2.975	11/16
50BB13-1/2	50	13	1/2	2.911	11/16
50BB13-5/8	50	13	5/8	2.911	11/16
50BB15-1/2	50	15	1/2	3.316	11/16
50BB15-5/8	50	15	5/8	3.316	11/16
50BB17-1/2	50	17	1/2	3.719	11/16
50BB17-5/8	50	17	5/8	3.719	11/16
60BB11-1/2	60	11	1/2	3.005	11/16
60BB11-5/8	60	11	5/8	3.005	11/16
60BB13-1/2	60	13	1/2	3.493	11/16
60BB13-5/8	60	13	5/8	3.493	11/16
60BB15-1/2	60	15	1/2	3.979	11/16
60BB15-5/8	60	15	5/8	3.979	11/16

Nitro Sprocket Size	Chain Size	Number of Teeth	Bore	Outside Diameter	Length Thru Bore
-	-	-	D1	de	A
80BB11-3/4	80	11	3/4	4.000	13/16
80BB12-3/4	80	12	3/4	4.332	13/16
100BB10-1	100	10	1	4.598	7/8

For other tooth counts see the weld on sprockets (Page 25-31) & weld on idler hub (Page 42)

#40 QD (Quick Detachable) ANSI Sprocket



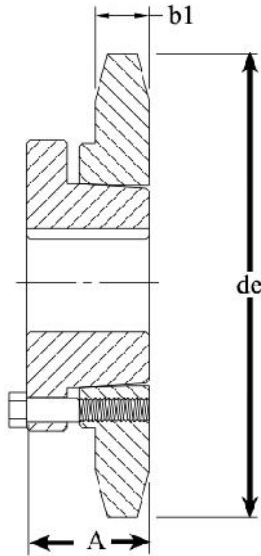
- Black oxide finish
- Manufactured from 1045 steel
- Fits ANSI #40 (1/2" Pitch) roller chain
- Heat treated teeth up to 40 teeth
- QD bushing sold separately

Bushing series must match sprocket series. Example: 40SDS36 can only accept SDS series bushings.

Nitro Sprocket Size	Chain Size	Number of Teeth	Outside Diameter	Length Thru Bore
-	-	-	de	A
40JA15	40	15	2.652	5/8
40JA16	40	16	2.814	5/8
40JA17	40	17	2.974	5/8
40JA18	40	18	3.136	5/8
40JA19	40	19	3.297	13/16
40SH20	40	20	3.457	13/16
40SH21	40	21	3.618	13/16
40SH22	40	22	3.778	13/16
40SH23	40	23	3.938	13/16
40SH24	40	24	4.098	13/16
40SH25	40	25	4.258	13/16
40SH26	40	26	4.418	13/16
40SH28	40	28	4.738	13/16
40SH30	40	30	5.057	13/16
40SH32	40	32	5.376	13/16
40SH35	40	35	5.856	13/16
40SDS36	40	36	6.015	3/4

Nitro Sprocket Size	Chain Size	Number of Teeth	Outside Diameter	Length Thru Bore
-	-	-	de	A
40SDS40	40	40	6.653	3/4
40SDS42	40	42	6.972	3/4
40SDS45	40	45	7.450	3/4
40SDS48	40	48	7.927	3/4
40SDS54	40	54	8.884	3/4
40SDS60	40	60	9.840	3/4
40SK70	40	70	11.433	1-1/4
40SK72	40	72	11.752	1-1/4
40SK80	40	80	13.026	1-1/4
40SK84	40	84	13.663	1-1/4
40SK96	40	96	15.573	1-1/4
40SK12	40	112	18.120	1-1/4

#50 QD (Quick Detachable) ANSI Sprocket



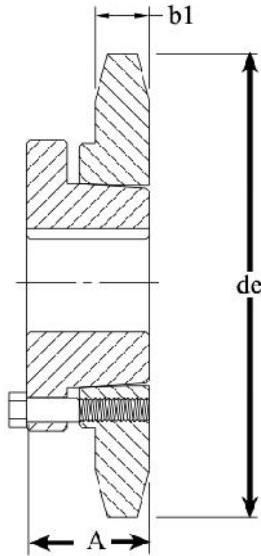
- Black oxide finish
- Manufactured from 1045 steel
- Fits ANSI #50 (5/8" Pitch) roller chain
- Heat treated teeth up to 35 teeth
- QD bushing sold separately

Bushing series must match sprocket series. Example: 50SDS30 can only accept SDS series bushings.

Nitro Sprocket Size	Chain Size	Number of Teeth	Outside Diameter	Length Thru Bore
-	-	-	de	A
50JA12	50	12	2.708	5/8
50JA13	50	13	2.911	5/8
50JA14	50	14	3.113	5/8
50JA15	50	15	3.315	5/8
50JA16	50	16	3.517	5/8
50SH17	50	17	3.718	13/16
50SH18	50	18	3.919	13/16
50SH19	50	19	4.121	13/16
50SDS20	50	20	4.321	3/4
50SDS21	50	21	4.522	3/4
50SDS22	50	22	4.722	3/4
50SDS23	50	23	4.923	3/4
50SDS24	50	24	5.123	3/4
50SDS25	50	25	5.323	3/4
50SDS26	50	26	5.523	3/4
50SDS27	50	27	5.723	3/4
50SDS28	50	28	5.922	3/4

Nitro Sprocket Size	Chain Size	Number of Teeth	Outside Diameter	Length Thru Bore
-	-	-	de	A
50SDS30	50	30	6.321	3/4
50SDS32	50	32	6.721	3/4
50SDS35	50	35	7.319	3/4
50SDS36	50	36	7.519	3/4
50SDS40	50	40	8.316	3/4
50SDS42	50	42	8.715	3/4
50SDS45	50	45	9.313	3/4
50SDS48	50	48	9.911	3/4
50SK54	50	54	11.106	1-1/4
50SK60	50	60	12.301	1-1/4
50SK70	50	70	14.292	1-1/4
50SK72	50	72	14.690	1-1/4
50SF80	50	80	16.283	1-1/4
50SF84	50	84	17.079	1-1/4
50SF96	50	96	19.467	1-1/4
50SF112	50	112	22.651	1-1/4

#60 QD (Quick Detachable) ANSI Sprocket



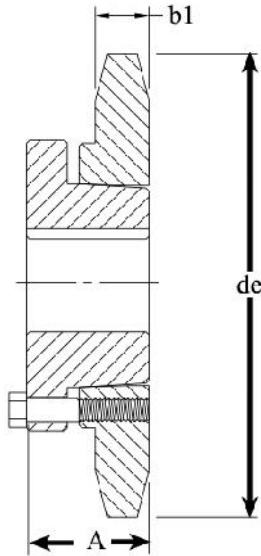
- Black oxide finish
- Manufactured from 1045 steel
- Fits ANSI #60 (3/4" Pitch) roller chain
- Heat treated teeth up to 30 teeth
- QD bushing sold separately

Bushing series must match sprocket series. Example: 60SK30 can only accept SK series bushings.

Nitro Sprocket Size	Chain Size	Number of Teeth	Outside Diameter	Length Thru Bore
-	-	-	de	A
60JA11	60	11	3.005	5/8
60JA12	60	12	3.249	5/8
60JA13	60	13	3.493	5/8
60SH14	60	14	3.737	13/16
60SH15	60	15	3.979	13/16
60SH16	60	16	4.220	13/16
60SDS17	60	17	4.463	3/4
60SDS18	60	18	4.703	3/4
60SDS19	60	19	4.945	3/4
60SDS20	60	20	5.186	3/4
60SDS21	60	21	5.426	3/4
60SDS22	60	22	5.666	3/4
60SDS23	60	23	5.906	3/4
60SDS24	60	24	6.147	3/4
60SDS25	60	25	6.387	3/4
60SK26	60	26	6.627	1-1/4
60SK27	60	27	6.870	1-1/4

Nitro Sprocket Size	Chain Size	Number of Teeth	Outside Diameter	Length Thru Bore
-	-	-	de	A
60SK28	60	28	7.106	1-1/4
60SK30	60	30	7.586	1-1/4
60SK32	60	32	8.065	1-1/4
60SK35	60	35	8.783	1-1/4
60SK36	60	36	9.023	1-1/4
60SK40	60	40	9.980	1-1/4
60SF42	60	42	10.458	1-1/4
60SF45	60	45	11.176	1-1/4
60SF48	60	48	11.893	1-1/4
60SF54	60	54	13.327	1-1/4
60SF60	60	60	14.761	1-1/4
60SF70	60	70	17.150	1-1/4
60SF72	60	72	17.628	1-1/4
60SF80	60	80	19.539	1-1/4
60SF84	60	84	20.495	1-1/4
60SF96	60	96	23.360	1-1/4

#80 QD (Quick Detachable) ANSI Sprocket



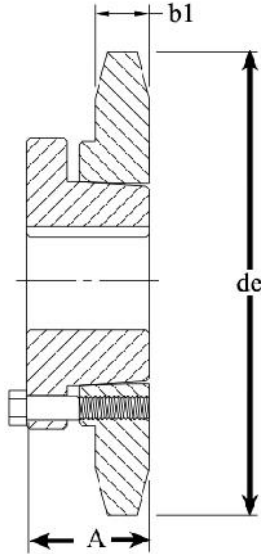
- Black oxide finish
- Manufactured from 1045 steel
- Fits ANSI #80 (1" Pitch) roller chain
- Heat treated teeth up to 21 teeth
- QD bushing sold separately

Bushing series must match sprocket series. Example: 80SF30 can only accept SF series bushings.

Nitro Sprocket Size	Chain Size	Number of Teeth	Outside Diameter	Length Thru Bore
-	-	-	de	A
80SH11	80	11	4.006	13/16
80SH12	80	12	4.331	13/16
80SDS13	80	13	4.657	3/4
80SDS14	80	14	4.982	3/4
80SK15	80	15	5.305	1-1/4
80SK16	80	16	5.627	1-1/4
80SK17	80	17	5.950	1-1/4
80SK18	80	18	6.271	1-1/4
80SK19	80	19	6.593	1-1/4
80SF20	80	20	6.914	1-1/4
80SF21	80	21	7.240	1-1/4
80SF22	80	22	7.560	1-1/4
80SF24	80	24	8.196	1-1/4
80SF25	80	25	8.516	1-1/4
80SF26	80	26	8.836	1-1/4
80SF27	80	27	9.156	1-1/4
80SF28	80	28	9.475	1-1/4

Nitro Sprocket Size	Chain Size	Number of Teeth	Outside Diameter	Length Thru Bore
-	-	-	de	A
80SF30	80	30	10.114	1-1/4
80SF32	80	32	10.753	1-1/4
80SF33	80	33	11.072	1-1/4
80SF34	80	34	11.392	1-1/4
80SF35	80	35	11.711	1-1/4
80SF36	80	36	12.030	1-1/4
80SF40	80	40	13.306	1-1/4
80SF42	80	42	13.940	1-1/4
80SF45	80	45	14.901	1-1/4
80SF48	80	48	15.857	1-1/4
80SF60	80	60	19.681	1-1/4
80E70	80	70	22.867	1-5/8
80E72	80	72	23.504	1-5/8
80E84	80	84	27.326	1-5/8
80E96	80	96	31.146	1-5/8

#100 QD (Quick Detachable) ANSI Sprocket



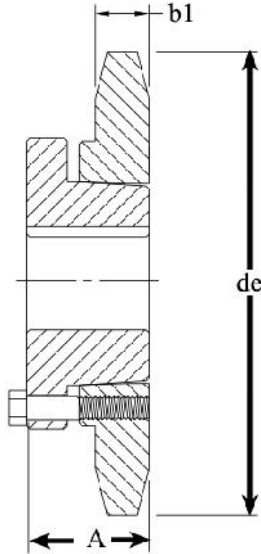
- Black oxide finish
- Manufactured from 1045 steel
- Fits ANSI #100 (1-1/4" Pitch) roller chain
- Heat treated teeth up to 21 teeth
- QD bushing sold separately

Bushing series must match sprocket series. Example: 100E30 can only accept E series bushings.

Nitro Sprocket Size	Chain Size	Number of Teeth	Outside Diameter	Length Thru Bore
-	-	-	de	A
100SDS11	100	11	5.008	3/4
100SDS12	100	12	5.415	3/4
100SK13	100	13	5.821	1-1/4
100SK14	100	14	6.228	1-1/4
100SF15	100	15	6.631	1-1/4
100SF16	100	16	7.034	1-1/4
100SF17	100	17	7.438	1-1/4
100E18	100	18	7.839	1-5/8
100E19	100	19	8.241	1-5/8
100E20	100	20	8.643	1-5/8
100E21	100	21	9.040	1-5/8
100E22	100	22	9.440	1-5/8
100E23	100	23	9.840	1-5/8
100E24	100	24	10.250	1-5/8
100E25	100	25	10.650	1-5/8
100E26	100	26	11.050	1-5/8
100E28	100	28	11.840	1-5/8

Nitro Sprocket Size	Chain Size	Number of Teeth	Outside Diameter	Length Thru Bore
-	-	-	de	A
100E30	100	30	12.640	1-5/8
100E32	100	32	13.440	1-5/8
100E35	100	35	14.640	1-5/8
100E36	100	36	15.040	1-5/8

#120 QD (Quick Detachable) ANSI Sprocket

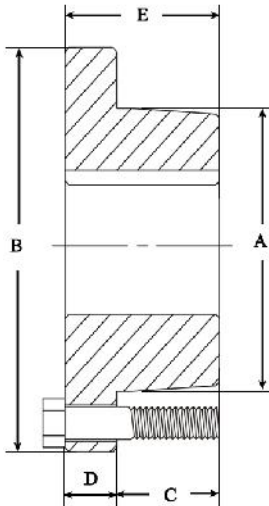


- Black oxide finish
- Manufactured from 1045 steel
- Fits ANSI #120 (1-1/2" Pitch) roller chain
- Heat treated teeth up to 20 teeth
- QD bushing sold separately

Bushing series must match sprocket series. Example: 120E19 can only accept E series bushings.

Nitro Sprocket Size	Chain Size	Number of Teeth	Outside Diameter	Length Thru Bore
-	-	-	de	A
120SF12	120	12	6.500	1-1/4
120SF13	120	13	6.900	1-1/4
120SF14	120	14	7.470	1-1/4
120SF15	120	15	7.960	1-1/4
120E16	120	16	8.440	1-5/8
120E18	120	18	9.410	1-5/8
120E19	120	19	9.890	1-5/8
120E20	120	20	10.371	1-5/8
120E22	120	22	11.333	1-5/8

QD Bushings



- Black oxide finish
- Manufactured from 1045 steel
- Fits QD sprockets & pulleys
- Includes 3 bolts
- Keyway with 1 setscrew
- Split & tapered
- Hub series must match sprocket/pulley series.
Example: SH series bushings will only work on SH series sprockets & pulleys.

Nitro Hub Series	Bore	Hub Diameter	Rim Diameter	Hub Width	Rim Width	Length Thru Bore
-	-	A	B	C	D	E
JA	3/8 up to 1-1/4	1.380	2.000	0.687	0.312	1.000
SH	1/2 up to 1-11/16	1.870	2.687	0.875	0.437	1.312
SDS	1/2 up to 2	2.190	3.187	0.875	0.437	1.312
SK	1/2 up to 2-5/8	2.810	3.875	1.375	0.562	1.937
SF	1/2 up to 2-15/16	3.130	4.625	1.437	0.625	2.062
E	7/8 up to 3-1/2	3.830	6.000	1.875	0.875	3.875

Standards & Tolerances

Setscrew and keyway sizes by bore

Bore Size	Keyway Size ¹	Setscrew Size ¹
< 1/2"	None	
1/2" Thru 9/16"*	1/8" X 1/16"*	10-24
5/8" Thru 7/8"	3/16" X 3/32"	1/4-20
15/16" Thru 1-1/4"	1/4" X 1/8"	5/16-20
1-5/16" Thru 1-3/8"	5/16" X 5/32"	3/8-16
1-7/16" Thru 1-3/4"	3/8" X 3/16"	3/8-16
1-13/16" Thru 2-1/4"	1/2" X 1/4"	1/2-13
2-5/16" Thru 2-3/4"	5/8" X 5/16"	1/2-13
2-13/16" Thru 3-1/4"	3/8" X 3/8"	5/8-11

*Some 1/2" bore sprockets do not have a keyway.

¹ Keyway and setscrew size may vary per product

Keyway Tolerances

Keyway	Tolerance
Width	+0.002 / - 0.000
Depth	+0.010 / - 0.000

Bore Tolerances

Bore Size	Tolerance
Up To 2"	+0.002 / - 0.000
2-1/16" Thru 3"	+0.003 / - 0.000
3-1/16" Thru 4"	+0.004 / - 0.000
4" & Over	+0.005 / - 0.000

Material & Finishes For Stock Products

- ◆ Sprockets - Manufactured from 1045 steel with a black oxide finish (Excluding Idler Sprockets)
- ◆ Weld On Hubs - Manufactured from 1045 steel with a black oxide finish
- ◆ QD Hubs - Manufactured from 1045 steel with a black oxide finish. Some sizes have a grey phosphate paint finish.

Sprocket Diameters

ANSI Sizes 25, 35, 40, 50, 60, 80 & 100

Tooth Count	ANSI Sprocket Size						
	#25	#35	#40	#50	#60	#80	#100
	1/4" Pitch	3/8" Pitch	1/2" Pitch	5/8" Pitch	3/4" Pitch	1" Pitch	1-1/4" Pitch
9	0.837	1.256	1.674	2.093	2.511	3.348	4.185
10	0.920	1.379	1.839	2.299	2.759	3.678	4.598
11	1.002	1.502	2.003	2.504	3.005	4.006	5.008
12	1.083	1.625	2.166	2.708	3.249	4.332	5.415
13	1.164	1.746	2.329	2.911	3.493	4.657	5.821
14	1.245	1.868	2.491	3.113	3.736	4.981	6.226
15	1.326	1.989	2.652	3.315	3.978	5.304	6.63
16	1.407	2.11	2.814	3.517	4.22	5.627	7.034
17	1.487	2.231	2.975	3.718	4.462	5.949	7.436
18	1.568	2.352	3.136	3.919	4.703	6.271	7.839
19	1.648	2.472	3.297	4.121	4.945	6.593	8.241
20	1.729	2.593	3.457	4.321	5.186	6.914	8.643
21	1.809	2.713	3.618	4.522	5.426	7.235	9.044
22	1.889	2.833	3.778	4.722	5.666	7.555	9.444
23	1.969	2.954	3.938	4.923	5.907	7.876	9.845
24	2.049	3.074	4.098	5.123	6.147	8.196	10.245
25	2.129	3.194	4.258	5.323	6.387	8.516	10.645
26	2.209	3.314	4.418	5.523	6.627	8.836	11.045
27	2.289	3.434	4.578	5.723	6.867	9.156	11.445
28	2.369	3.553	4.738	5.922	7.106	9.475	11.844
29	2.449	3.673	4.898	6.122	7.346	9.795	12.244
30	2.529	3.793	5.057	6.321	7.586	10.114	12.643
31	2.609	3.913	5.217	6.521	7.826	10.434	13.043
32	2.688	4.032	5.377	6.721	8.065	10.753	13.441
33	2.768	4.152	5.537	6.921	8.305	11.073	13.841
34	2.848	4.272	5.696	7.119	8.543	11.391	14.239
35	2.928	4.392	5.856	7.319	8.783	11.711	14.639
36	3.008	4.511	6.015	7.519	9.023	12.03	15.038
37	3.087	4.631	6.175	7.718	9.262	12.349	15.436
38	3.167	4.751	6.334	7.918	9.501	12.668	15.835
39	3.247	4.87	6.494	8.117	9.74	12.987	16.234
40	3.327	4.99	6.653	8.316	9.98	13.306	16.633

Continued on next page....

Sprocket Diameters

ANSI Sizes 25, 35, 40, 50, 60, 80 & 100

Tooth Count	ANSI Sprocket Size						
	#25	#35	#40	#50	#60	#80	#100
	1/4" Pitch	3/8" Pitch	1/2" Pitch	5/8" Pitch	3/4" Pitch	1" Pitch	1-1/4" Pitch
41	3.406	5.109	6.813	8.516	10.219	13.625	17.031
42	3.486	5.229	6.972	8.715	10.458	13.944	17.430
43	3.566	5.349	7.132	8.914	10.697	14.263	17.829
44	3.646	5.468	7.291	9.114	10.937	14.582	18.228
45	3.725	5.588	7.451	9.313	11.176	14.901	18.626
46	3.805	5.707	7.610	9.512	11.414	15.219	19.024
47	3.885	5.827	7.769	9.711	11.654	15.538	19.423
48	3.964	5.946	7.929	9.911	11.893	15.857	19.821
49	4.044	6.066	8.088	10.110	12.132	16.176	20.220
50	4.124	6.186	8.248	10.309	12.371	16.495	20.619
51	4.203	6.305	8.407	10.508	12.610	16.813	21.016
52	4.283	6.425	8.566	10.708	12.849	17.132	21.415
53	4.363	6.544	8.726	10.907	13.088	17.451	21.814
54	4.442	6.663	8.885	11.106	13.327	17.769	22.211
55	4.522	6.783	9.044	11.305	13.566	18.088	22.610
56	4.602	6.903	9.204	11.504	13.805	18.407	23.009
57	4.681	7.022	9.363	11.703	14.044	18.725	23.406
58	4.761	7.142	9.522	11.903	14.283	19.044	23.805
59	4.841	7.261	9.682	12.102	14.522	19.363	24.204
60	4.920	7.380	9.841	12.301	14.761	19.681	24.601
61	5.000	7.500	10.000	12.500	15.000	20.000	25.000
62	5.080	7.619	10.159	12.699	15.239	20.318	25.398
63	5.159	7.739	10.319	12.898	15.478	20.637	25.796
64	5.239	7.859	10.478	13.098	15.717	20.956	26.195
65	5.319	7.978	10.637	13.296	15.956	21.274	26.593
66	5.398	8.097	10.797	13.496	16.195	21.593	26.991
67	5.478	8.217	10.956	13.694	16.433	21.911	27.389
68	5.558	8.336	11.115	13.894	16.673	22.230	27.788
69	5.637	8.456	11.274	14.093	16.911	22.548	28.185
70	5.717	8.575	11.434	14.292	17.150	22.867	28.584

Continued on next page....

Sprocket Diameters

ANSI Sizes 25, 35, 40, 50, 60, 80 & 100

Tooth Count	ANSI Sprocket Size						
	#25	#35	#40	#50	#60	#80	#100
	1/4" Pitch	3/8" Pitch	1/2" Pitch	5/8" Pitch	3/4" Pitch	1" Pitch	1-1/4" Pitch
71	5.796	8.694	11.593	14.491	17.389	23.185	28.981
72	5.876	8.814	11.752	14.690	17.628	23.504	29.380
73	5.956	8.933	11.911	14.889	17.867	23.822	29.778
74	6.035	9.053	12.071	15.088	18.106	24.141	30.176
75	6.115	9.172	12.230	15.287	18.344	24.459	30.574
76	6.195	9.292	12.389	15.486	18.584	24.778	30.973
77	6.274	9.411	12.548	15.685	18.822	25.096	31.370
78	6.354	9.531	12.708	15.884	19.061	25.415	31.769
79	6.433	9.650	12.867	16.083	19.300	25.733	32.166
80	6.513	9.770	13.026	16.283	19.539	26.052	32.565
81	6.593	9.889	13.185	16.481	19.778	26.370	32.963
82	6.672	10.008	13.345	16.681	20.017	26.689	33.361
83	6.752	10.128	13.504	16.879	20.255	27.007	33.759
84	6.832	10.247	13.663	17.079	20.495	27.326	34.158
85	6.911	10.367	13.822	17.278	20.733	27.644	34.555
86	6.991	10.486	13.981	17.476	20.972	27.962	34.953
87	7.070	10.605	14.141	17.676	21.211	28.281	35.351
88	7.150	10.725	14.300	17.874	21.449	28.599	35.749
89	7.230	10.844	14.459	18.074	21.689	28.918	36.148
90	7.309	10.964	14.618	18.273	21.927	29.236	36.545
91	7.389	11.083	14.778	18.472	22.166	29.555	36.944
92	7.468	11.202	14.937	18.671	22.405	29.873	37.341
93	7.548	11.322	15.096	18.870	22.644	30.192	37.740
94	7.628	11.441	15.255	19.069	22.883	30.510	38.138
95	7.707	11.561	15.414	19.268	23.121	30.828	38.535
96	7.787	11.680	15.574	19.467	23.360	31.147	38.934
97	7.866	11.799	15.733	19.666	23.599	31.465	39.331
98	7.946	11.919	15.892	19.865	23.838	31.784	39.730
99	8.026	12.038	16.051	20.064	24.077	32.102	40.128
100	8.105	12.158	16.211	20.263	24.316	32.421	40.526

Continued on next page....

Sprocket Diameters

ANSI Sizes 25, 35, 40, 50, 60, 80 & 100

Tooth Count	ANSI Sprocket Size						
	#25	#35	#40	#50	#60	#80	#100
	1/4" Pitch	3/8" Pitch	1/2" Pitch	5/8" Pitch	3/4" Pitch	1" Pitch	1-1/4" Pitch
101	8.185	12.277	16.370	20.462	24.554	32.739	40.924
102	8.264	12.396	16.529	20.661	24.793	33.057	41.321
103	8.344	12.516	16.688	20.860	25.032	33.376	41.720
104	8.424	12.635	16.847	21.059	25.271	33.694	42.118
105	8.503	12.755	17.007	21.258	25.510	34.013	42.516
106	8.583	12.874	17.166	21.457	25.748	34.331	42.914
107	8.662	12.993	17.325	21.656	25.987	34.649	43.311
108	8.742	13.113	17.484	21.855	26.226	34.968	43.710
109	8.822	13.232	17.643	22.054	26.465	35.286	44.108
110	8.901	13.352	17.803	22.253	26.704	35.605	44.506
111	8.981	13.471	17.962	22.452	26.942	35.923	44.904
112	9.060	13.590	18.121	22.651	27.181	36.241	45.301
113	9.140	13.710	18.280	22.850	27.420	36.560	45.700
114	9.220	13.829	18.439	23.049	27.659	36.878	46.098
115	9.299	13.949	18.599	23.248	27.898	37.197	46.496
116	9.379	14.068	18.758	23.447	28.136	37.515	46.894
117	9.458	14.187	18.917	23.646	28.375	37.833	47.291
118	9.538	14.307	19.076	23.845	28.614	38.152	47.690
119	9.618	14.426	19.235	24.044	28.853	38.470	48.088
120	9.697	14.546	19.394	24.243	29.091	38.788	48.485
121	9.777	14.665	19.554	24.442	29.330	39.107	48.884
122	9.856	14.784	19.713	24.641	29.569	39.425	49.281
123	9.936	14.904	19.872	24.840	29.808	39.744	49.680
124	10.016	15.023	20.031	25.039	30.047	40.062	50.078
125	10.095	15.143	20.190	25.238	30.285	40.380	50.475
126	10.175	15.262	20.350	25.437	30.524	40.699	50.874
127	10.254	15.381	20.509	25.636	30.763	41.017	51.271
128	10.334	15.501	20.668	25.834	31.001	41.335	51.669
129	10.414	15.620	20.827	26.034	31.241	41.654	52.068
130	10.493	15.740	20.986	26.233	31.479	41.972	52.465

Sprocket Diameters

ANSI 120, 140, 160, 180, 200 & 240

Tooth Count	ANSI Sprocket Size					
	#120	#140	#160	#180	#200	#240
	1-1/2" Pitch	1-3/4" Pitch	2" Pitch	2-1/4" Pitch	2-1/2" Pitch	3" Pitch
9	5.022	5.859	6.696	7.533	8.370	10.044
10	5.517	6.437	7.356	8.276	9.195	11.034
11	6.009	7.011	8.012	9.014	10.015	12.018
12	6.498	7.581	8.664	9.747	10.830	12.996
13	6.986	8.150	9.314	10.478	11.643	13.971
14	7.472	8.717	9.962	11.207	12.453	14.943
15	7.956	9.282	10.608	11.934	13.260	15.912
16	8.441	9.847	11.254	12.661	14.068	16.881
17	8.924	10.411	11.898	13.385	14.873	17.847
18	9.407	10.974	12.542	14.110	15.678	18.813
19	9.890	11.538	13.186	14.834	16.483	19.779
20	10.371	12.100	13.828	15.557	17.285	20.742
21	10.853	12.661	14.470	16.279	18.088	21.705
22	11.333	13.221	15.110	16.999	18.888	22.665
23	11.814	13.783	15.752	17.721	19.690	23.628
24	12.294	14.343	16.392	18.441	20.490	24.588
25	12.774	14.903	17.032	19.161	21.290	25.548
26	13.254	15.463	17.672	19.881	22.090	26.508
27	13.734	16.023	18.312	20.601	22.890	27.468
28	14.213	16.581	18.950	21.319	23.688	28.425
29	14.693	17.141	19.590	22.039	24.488	29.385
30	15.171	17.700	20.228	22.757	25.285	30.342
31	15.651	18.260	20.868	23.477	26.085	31.302
32	16.130	18.818	21.506	24.194	26.883	32.259
33	16.610	19.378	22.146	24.914	27.683	33.219
34	17.087	19.934	22.782	25.630	28.478	34.173
35	17.567	20.494	23.422	26.350	29.278	35.133
36	18.045	21.053	24.060	27.068	30.075	36.090
37	18.524	21.611	24.698	27.785	30.873	37.047
38	19.002	22.169	25.336	28.503	31.670	38.004
39	19.481	22.727	25.974	29.221	32.468	38.961
40	19.959	23.286	26.612	29.939	33.265	39.918

Continued on next page....

Sprocket Diameters

ANSI 120, 140, 160, 180, 200 & 240

Tooth Count	ANSI Sprocket Size					
	#120	#140	#160	#180	#200	#240
	1-1/2" Pitch	1-3/4" Pitch	2" Pitch	2-1/4" Pitch	2-1/2" Pitch	3" Pitch
41	20.438	23.844	27.250	30.656	34.063	40.875
42	20.916	24.402	27.888	31.374	34.860	41.832
43	21.395	24.960	28.526	32.092	35.658	42.789
44	21.873	25.519	29.164	32.810	36.455	43.746
45	22.352	26.077	29.802	33.527	37.253	44.703
46	22.829	26.633	30.438	34.243	38.048	45.657
47	23.307	27.192	31.076	34.961	38.845	46.614
48	23.786	27.750	31.714	35.678	39.643	47.571
49	24.264	28.308	32.352	36.396	40.440	48.528
50	24.743	28.866	32.990	37.114	41.238	49.485
51	25.220	29.423	33.626	37.829	42.033	50.439
52	25.698	29.981	34.264	38.547	42.830	51.396
53	26.177	30.539	34.902	39.265	43.628	52.353
54	26.654	31.096	35.538	39.980	44.423	53.307
55	27.132	31.654	36.176	40.698	45.220	54.264
56	27.611	32.212	36.814	41.416	46.018	55.221
57	28.088	32.769	37.450	42.131	46.813	56.175
58	28.566	33.327	38.088	42.849	47.610	57.132
59	29.045	33.885	38.726	43.567	48.408	58.089
60	29.522	34.442	39.362	44.282	49.203	59.043
61	30.000	35.000	40.000	45.000	50.000	60.000
62	30.477	35.557	40.636	45.716	50.795	60.954
63	30.956	36.115	41.274	46.433	51.593	61.911
64	31.434	36.673	41.912	47.151	52.390	62.868
65	31.911	37.230	42.548	47.867	53.185	63.822
66	32.390	37.788	43.186	48.584	53.983	64.779
67	32.867	38.344	43.822	49.300	54.778	65.733
68	33.345	38.903	44.460	50.018	55.575	66.690
69	33.822	39.459	45.096	50.733	56.370	67.644
70	34.301	40.017	45.734	51.451	57.168	68.601

Continued on next page....

Sprocket Diameters

ANSI 120, 140, 160, 180, 200 & 240

Tooth Count	ANSI Sprocket Size					
	#120	#140	#160	#180	#200	#240
	1-1/2" Pitch	1-3/4" Pitch	2" Pitch	2-1/4" Pitch	2-1/2" Pitch	3" Pitch
71	34.778	40.574	46.370	52.166	57.963	69.555
72	35.256	41.132	47.008	52.884	58.760	70.512
73	35.733	41.689	47.644	53.600	59.555	71.466
74	36.212	42.247	48.282	54.317	60.353	72.423
75	36.689	42.803	48.918	55.033	61.148	73.377
76	37.167	43.362	49.556	55.751	61.945	74.334
77	37.644	43.918	50.192	56.466	62.740	75.288
78	38.123	44.476	50.830	57.184	63.538	76.245
79	38.600	45.033	51.466	57.899	64.333	77.199
80	39.078	45.591	52.104	58.617	65.130	78.156
81	39.555	46.148	52.740	59.333	65.925	79.110
82	40.034	46.706	53.378	60.050	66.723	80.067
83	40.511	47.262	54.014	60.766	67.518	81.021
84	40.989	47.821	54.652	61.484	68.315	81.978
85	41.466	48.377	55.288	62.199	69.110	82.932
86	41.943	48.934	55.924	62.915	69.905	83.886
87	42.422	49.492	56.562	63.632	70.703	84.843
88	42.899	50.048	57.198	64.348	71.498	85.797
89	43.377	50.607	57.836	65.066	72.295	86.754
90	43.854	51.163	58.472	65.781	73.090	87.708
91	44.333	51.721	59.110	66.499	73.888	88.665
92	44.810	52.278	59.746	67.214	74.683	89.619
93	45.288	52.836	60.384	67.932	75.480	90.576
94	45.765	53.393	61.020	68.648	76.275	91.530
95	46.242	53.949	61.656	69.363	77.070	92.484
96	46.721	54.507	62.294	70.081	77.868	93.441
97	47.198	55.064	62.930	70.796	78.663	94.395
98	47.676	55.622	63.568	71.514	79.460	95.352
99	48.153	56.179	64.204	72.230	80.255	96.306
100	48.632	56.737	64.842	72.947	81.053	97.263

Continued on next page....

Sprocket Diameters

ANSI 120, 140, 160, 180, 200 & 240

Tooth Count	ANSI Sprocket Size					
	#120	#140	#160	#180	#200	#240
	1-1/2" Pitch	1-3/4" Pitch	2" Pitch	2-1/4" Pitch	2-1/2" Pitch	3" Pitch
101	49.109	57.293	65.478	73.663	81.848	98.217
102	49.586	57.850	66.114	74.378	82.643	99.171
103	50.064	58.408	66.752	75.096	83.440	100.128
104	50.541	58.965	67.388	75.812	84.235	101.082
105	51.020	59.523	68.026	76.529	85.033	102.039
106	51.497	60.079	68.662	77.245	85.828	102.993
107	51.974	60.636	69.298	77.960	86.623	103.947
108	52.452	61.194	69.936	78.678	87.420	104.904
109	52.929	61.751	70.572	79.394	88.215	105.858
110	53.408	62.309	71.210	80.111	89.013	106.815
111	53.885	62.865	71.846	80.827	89.808	107.769
112	54.362	63.422	72.482	81.542	90.603	108.723
113	54.840	63.980	73.120	82.260	91.400	109.680
114	55.317	64.537	73.756	82.976	92.195	110.634
115	55.796	65.095	74.394	83.693	92.993	111.591
116	56.273	65.651	75.030	84.409	93.788	112.545
117	56.750	66.208	75.666	85.124	94.583	113.499
118	57.228	66.766	76.304	85.842	95.380	114.456
119	57.705	67.323	76.940	86.558	96.175	115.410
120	58.182	67.879	77.576	87.273	96.970	116.364
121	58.661	68.437	78.214	87.991	97.768	117.321
122	59.138	68.994	78.850	88.706	98.563	118.275
123	59.616	69.552	79.488	89.424	99.360	119.232
124	60.093	70.109	80.124	90.140	100.155	120.186
125	60.570	70.665	80.760	90.855	100.950	121.140
126	61.049	71.223	81.398	91.573	101.748	122.097
127	61.526	71.780	82.034	92.288	102.543	123.051
128	62.003	72.336	82.670	93.004	103.338	124.005
129	62.481	72.895	83.308	93.722	104.135	124.962
130	62.958	73.451	83.944	94.437	104.930	125.916



Nitro Power Products
7842 N Faulkner Road
Milwaukee, WI 53224
800-982-3141